

THERMALCAMERA

VSC IPT5VDe1F

Thermal Network Turret Camera



Thermal:

- Resolution: 256×192
- 12μm, NETD: ≤50mK(@25°C, F#=1.0)
- Temperature range: -20°C~150°C
- Multi-palette: white hot, black hot, iron oxide red, etc.
- Sound and light warning, temperature exception alarm, fire detection
- Intelligent analytics: intrusion detection (human/motor vehicle classification), line crossing detection (human/motor vehicle classification)

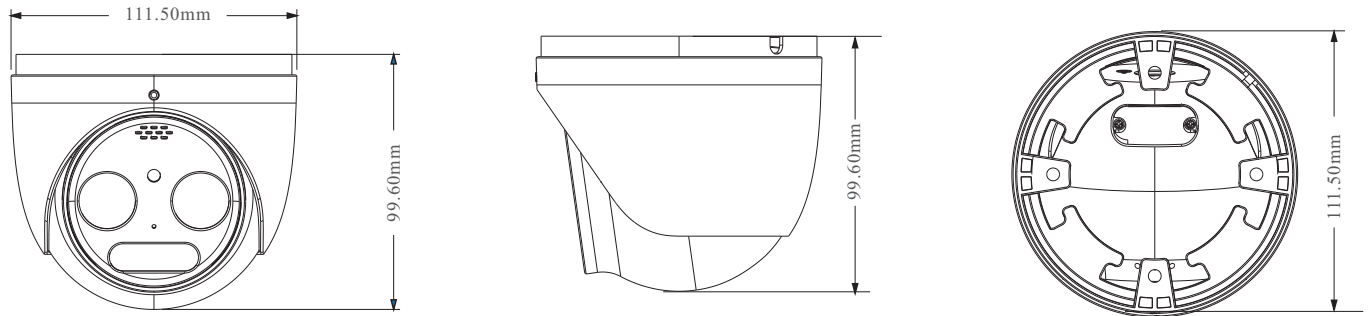
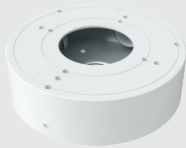
Optical:

- 5MP (2592 × 1944) @30 fps
- ICR auto switch, true day/night vision
- 20~30m IR night view distance
- 3D DNR, true WDR(120dB), HLC, BLC, Smart IR, distortion image correction, ROI etc.
- Intelligent analytics: intrusion detection (human/motor vehicle/non-motor vehicle classification), line crossing detection (human/motor vehicle/non-motor vehicle classification), scene change detection, video exception detection, target counting(human/vehicle /non-motor vehicle classification), face detection, face capture

SPECIFICATIONS

Model	VSC IPT5VDe1F	
Thermal Module		
Detector Type	12μm 256×192 Vanadium oxide uncooled focal plane detector	
Response Waveband	8μm-14μm	
NETD	≤50mK(@25°C, F#=1.0)	
IRIS Type	Fixed Iris	
Lens	3.2mm@F1.1	7mm@F1.0
Field of View(H×V)	56°×42.2°	24.8°×18.7°
Min. Focusing Distance	0.5 m	1.1m
Color Palettes	Black hot, White hot, iron oxide red, etc.	
DRI Distance Human (0.75m)	Detection: 133m(436ft) Recognition: 33m(108ft) Identification: 17m(56ft)	Detection: 292m(958ft) Recognition: 73m(240ft) Identification: 36m(118ft)
DRI Distance Vehicle (2.3m)	Detection: 409m(1342ft) Recognition: 102m(335ft) Identification: 51m(167ft)	Detection: 894m(2933ft) Recognition: 224m(735ft) Identification: 112m(367ft)
Visible Light Module		
Image Sensor	1/ 2.7" CMOS	
Image Size	2592 × 1944	
Electronic Shutter	1/3 s ~ 1 / 100000 s	
Iris Type	Fixed Iris	
Min. Illumination	0.02 lux@F1.6, AGC ON; 0 lux with IR 0.03 lux@F2.0, AGC ON; 0 lux with IR	
Lens	4mm@F1.6	8mm@F2.0
Field of View(H×V)	81°×56.7°	38°×27.5°
Wide Dynamic Range	120dB	
BLC	Yes	
HLC	Yes	
Defog	Yes	
Digital NR	2D/3D DNR	
Image		
Video Compression	H.265 / H.264 / MJPEG	
H.264 Compression Standard	Baseline Profile / Main Profile / High Profile	
Bit Rate Type	VBR/CBR	
Bit Rate	128Kbps~ 8Mbps	
Resolution	Thermal : 256 × 192 Optical: 5MP (2592 × 1944), 4MP (2592 × 1520), 2K (2560 × 1440), 3MP (2304 × 1296), 1080P (1920 × 1080), 720P (1280 × 720), D1, CIF, 480 × 240	
Main Stream	Optical: 60Hz: 5MP/4MP/2K/3MP/1080P/720P (1~30fps); 50Hz: 5MP/4MP/2K/3MP/1080P/720P (1~25fps) Thermal : 60Hz: 256 × 192 (the resolution of output image is 720P) (1~30fps); 50Hz: 256 × 192 (the resolution of output image is 720P) (1~25fps)	
Sub Stream	Optical: 60Hz: 720P/D1/CIF (1~30fps); 50Hz: 720P/D1/CIF (1~25fps) Thermal : 60Hz: 256 × 192 (the resolution of output image is 720P) (1~30fps); 50Hz: 256 × 192 (the resolution of output image is 720P) (1~25fps)	
Third Stream	Optical: 60Hz: D1/CIF/480 × 240(1~30fps); 50Hz: D1/CIF/480 × 240(1~25fps) Thermal : 60Hz: 256 × 192 (the resolution of output image is 720P) (1~30fps); 50Hz: 256 × 192 (the resolution of output image is 720P) (1~25fps)	
Image Settings	ROI, Saturation, Brightness, Hue, Contrast, Wide Dynamic, Sharpness, NR, etc. adjustable through client software or web browser	
Audio Compression	G711A/U	
ROI	8 regions; each ROI to be configured separately	

Interfaces	
Network	RJ 45
Video Output	No
Audio	1CH 3.5mm MIC/LIN in audio input; 1CH built-in MIC; 1CH built-in speaker
Storage	Built-in micro SD card slot; up to 256GB
Reset	Yes
RS 485	No
Alarm	1CH alarm input; 1CH alarm output
Functions	
Temperature Range	-20°C~150°C (-4°F~302°F)
Temperature Accuracy	±8°C
Temperature alarm	Over temperature alarm, low temperature alarm
Temperature Measurement	10 rules in total (Point: up to 10; Line: 2, recommended; Area: 2, recommended)
Fire Detection	Dynamic fire detection, up to 10 fire points detectable
Remote Monitoring	Web browser/NVMS2.X/Mobile APP
Online Connection	Support simultaneous monitoring for up to 10 users; Support multi-stream real time transmission
Network Protocol	UDP, IPv4, IPv6, DHCP, NTP, RTSP, RTP, RTCP, PPPoE, DDNS, SMTP, FTP, SNMP, HTTP, 802.1x, UPnP, HTTPS, QoS
Interface Protocol	ONVIF
Storage	Network remote storage; micro SD card storage
Smart Alarm	Motion detection, SD card error, SD card full, IP address conflict, Cable connection
Intelligent Analytics	Optical: intrusion detection/line crossing detection (human/motor vehicle/non-motor vehicle classification), scene change detection, video exception detection, target counting (human/motor vehicle/non-motor vehicle classification), face detection, face capture Thermal: fire detection, temperature exception alarm, intrusion detection/line crossing detection (human/motor vehicle classification)
General Function	Watermark, IP address filtering, video mask, heartbeat, password protection, image distortion correction
Sound&Light Warning	White light flashing alarm and sound alarm supported
PoE	Yes, IEEE802.3 af, class0
IR Distance	20~ 30m
Protection Grade	IP66
Others	
Power Supply	DC12V / PoE
Power Consumption	< 9W
Operating Environment	Humidity: less than 95% (non-condensing) -30°C ~ 60°C (-22°F~140°F)
Certificate	CE, FCC
Environment Protection	Complies with Directive EU RoHS, WEEE(2012/19/EU), directive 94/62/EC and REACH(EC1907/2006)
Dimensions (mm)	Ø111.5 × 99.6
Weight (net)	Approx. 0.68KG
Installation	Ceiling mounting; Wall mounting

DIMENSIONS**AVAILABLE ACCESSORIES**

VSB IPT11