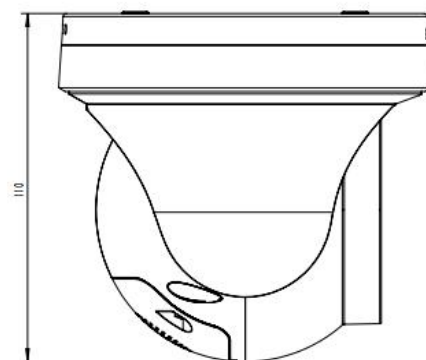
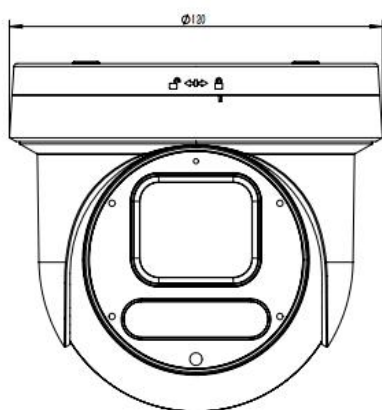
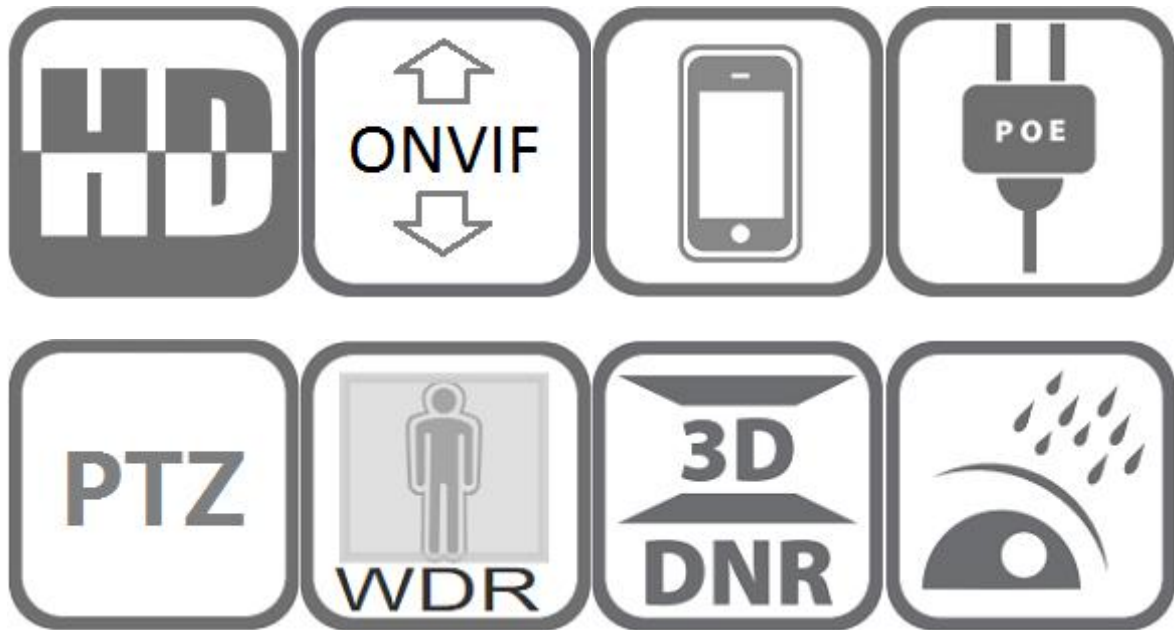


Modelis: 8MP 5X ZOOM Smart Dual-Light kupolinė PTZ IP vaizdo kamera balta

8MP 5X Smart Dual Light Turret PTZ IP Camera





Features:

- 1/2.8" Sony CMOS sensor
- 4K resolution 3840 x 2160P
- Low illumination 0.01Lux
- 5x optical zoom lens
- Smart Human and Vehicle Detection Alarm
- Built-in Mic and speaker, two-way audio
- Siren and Voice Warning, Strobe Light
- Day/Night, AWB/MWB, BLC, HLC, 2D/3D-DNR, Shutter, IR-CUT, D-WDR, Flip, Defogging
- Multiply Style OSD Overlay, Motion Detection, Privacy Mask
- RTSP and Onvif 17.06 compatible with many third-party NVR
- H.264/H.265 three-stream media server
- Easy-to-use P2P Cloud service
- Support user authentication, video data encryption
- Support Alarm Snapshot to Email and FTP
- Multiply WEB browser IE,Firefox,Chrome,Edge,Safari
- Free PC Client, Mobile APP remote access
- RJ45 100mbps network port, IEEE802.3af 48v PoE
- Lightning protection 4000V
- Strong water-proof housing IP66
- 4 pcs IR & Warmlight Leds,
- IR distance 40 meters, Warm-light distance 30 meters
- Colorful videos at night when human or Vehicle motion detection & alarm trigger

Technical Specifications:

| | |
|-------------------------|---|
| Modelis | 8MP 5X ZOOM Smart Dual-Light kupolinė PTZ IP vaizdo kamera balta |
| Camera | |
| Image Sensor | 1/2.8" Sony CMOS |
| Effective Pixels | 8 megapixels |
| Electronic Shutter | AUTO, 1/10s ~ 1/100000s |
| Min. Illumination | 0.01Lux@F1.2(AGC ON) |
| Day/Night | Auto/Color/(B/W)/Timing |
| WDR | Digital WDR |
| White Balance | Auto/Manual |
| BLC /HLC | Support |
| DNR | 2D/3D DNR |
| Other | Image adjust , Flip |
| Encode | |
| Video Standard | H.265/H.265+/H.264 |
| Video Resolution | MainStream:20fps@8MP(3840x2160), 30fps@6MP(3072x2048)/5MP(2592x1944)/4MP/3MP/1080P/720P,etc. Sub stream: 720x480/VGA(640x480)/360P/QVGA@30fps,etc. Third stream:1080P/720P/CIF@10fps |
| Video Bitrates | 512Kbps - 12Mbps, VBR/CBR |
| Audio Standard | G.711-u/G.711-a/AAC |
| Audio | Two way audio: Built-in Mic. & loudspeaker |
| Smart Detection | Smart Human & Vehicle Detection |
| Illuminator | |
| Led | 4pcs IR & Warmlight Leds |
| Distance | 40 m (IR), 30 m (Warm light) |
| Lens | |
| Focal length | 2.7-13.5mm |
| Zoom | 5x optical zoom |
| Function | |
| SD Storage | Build in Micro SD Card Slot, Max 512GB |
| Reset | Build in Reset Button |
| PTZ | |
| Pan/Tilt Range | Pan: 0° ~ 280°; Tilt: 0° ~ 90° |
| Preset Point | 10 |
| Control Speed | Pan: 15° /s; Tilt: 15° /s |
| Guard Position | Support |
| Power-off Recovery | Support |
| Network Services | |
| Protocol | HTTP(s)/RTSP/RTMP/FTP/NFS/SMTTP/DHCP/NTP, etc. |
| P2P | Yes |
| Web | IE , Firefox 32bit ESR, etc. |
| Media | CMS, Android, IOS |
| ONVIF | 17.06 compatible |
| General | |

| | |
|-------------------|---------------------------------|
| Network Port | 1-RJ45, 100Mbps, PoE 48V in |
| Power Supply | 12 VDC \pm 10% 2A |
| Power Consumption | < 15 W |
| Operating Temp. | -30°C-(+60)°C, 10%-90%RH |
| Size | Φ 120(mm) \times 110(mm) |
| Weight | 0.68kg |